

Part No. 607422



This adapter enables inversion of the EDM wiring. This means a MLD Multiple Light Beam Safety Device can be connected in the same way as predecessor COMPACT.

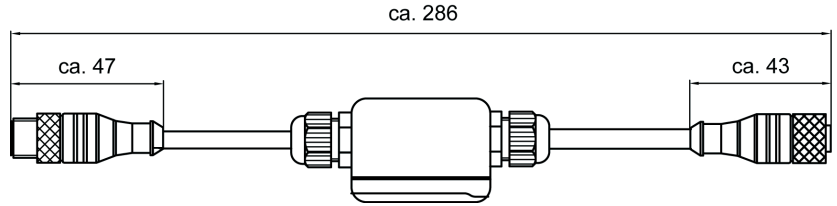
The adapter is connected on the 8-pin machine interface of the MLD.



Attention!

The EDM Inverter may only be used in combination with an MLD Multiple Light Beam Safety Device.

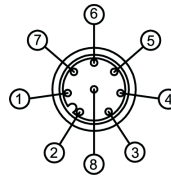
Dimensional drawing



Electrical connection

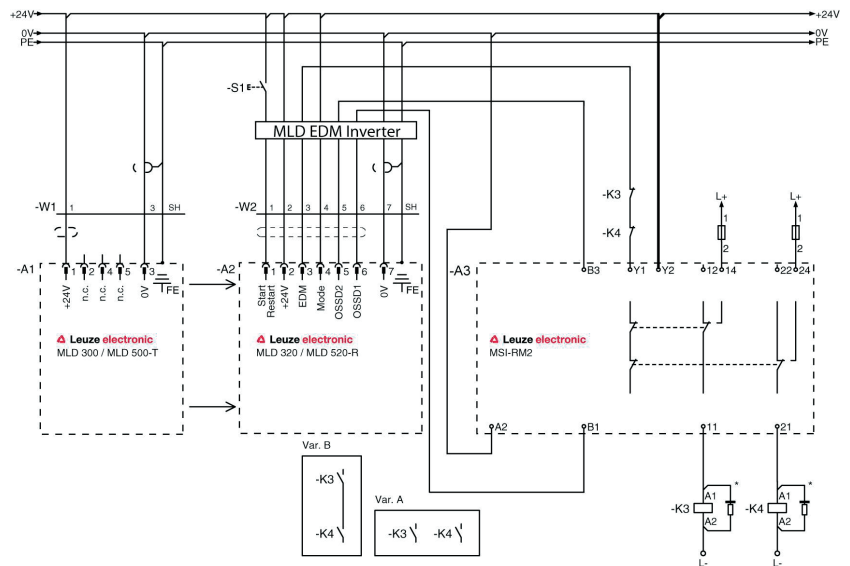
Attach the EDM Inverter between the MLD receiver and standard connecting cable.

Plug: ("8-pin")



Pin	Color	Socket (MLD side)	Plug
1	White	RES	RES
2	Brown	24V/0V	24V/0V
3	Green	EDM (0V via closed feedback circuit)	EDM (24V via closed feedback circuit)
4	Yellow	Mode/MS2	Mode/MS2
5	Gray	OSSD2	OSSD2
6	Pink	OSSD1	OSSD1
7	Blue	0V/24V	0V/24V
8	Red	NC/M-EN/TO	NC/M-EN/TO

Connection example



Ordering information

Part No.	Description
97002031	MLD EDM Inverter

We reserve the right to make changes