

SLSR 8



Protective throughbeam photoelectric sensor

! Safety note:

- The protective throughbeam photoelectric sensor is a contactless active protective device only in connection with a safety-relevant control system, in which the cyclical testing of transmitter and receiver is carried out according to EN 61496-1, category 2 (testing).
- The power supply unit used to operate the photoelectric sensor has to be able to compensate for changes and interruptions of the supply voltage acc. to EN 61496-1.
Minimum blackening object: $\varnothing 13\text{mm}$

Accessories

(available separately - see page 72)

- M12 connectors (KD ...)
- Mounting systems
- Control guard



Subject to change without prior notice 602067 - 2009/01

Leuze electronic GmbH + Co. KG
 Liebigstrasse 4
 82256 Fuerstenfeldbruck / Germany
 Phone +49 8141 5350-0
 Telefax +49 8141 5350-190
 info@leuze.de
 www.leuze.com

Features

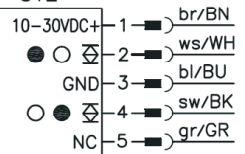
- A²LS - active suppression of extraneous light
- Push-pull switching outputs
- M12 turning connector
- Visible red light

Electrical Connection

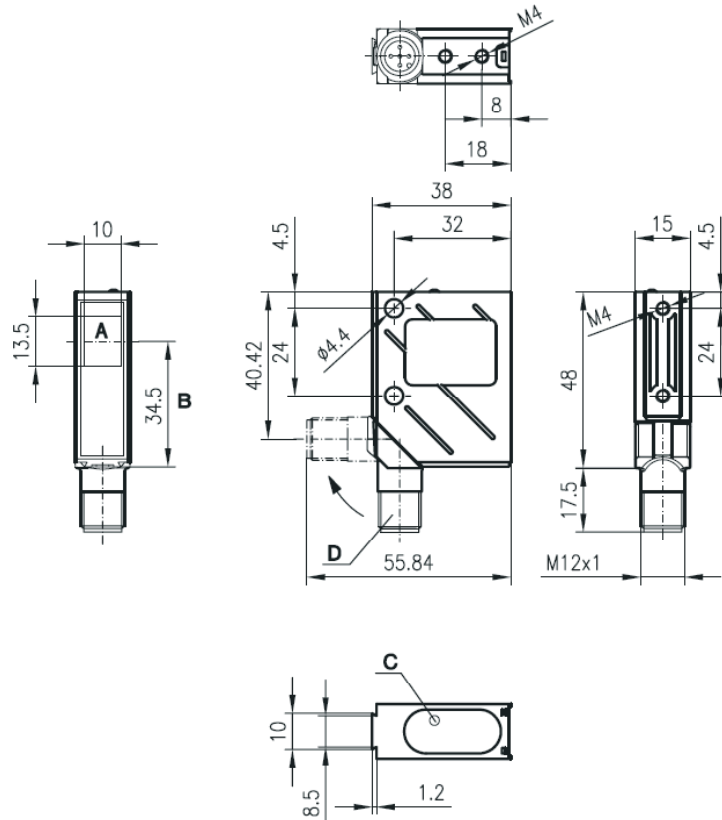
SLSR 8.8-S12



SLSR 8/66-S12



Dimensional Drawing



- A Transmitter/receiver
- B Optical axis
- C LED yellow
- D 90° turning connector

Order guide

	Designation	Art. no.
with M12 connector		
Transmitter and receiver	SLSR 8/66.8-S12	
Transmitter with activation input	SLSSR 8.8-S12	500 38791
Receiver	SLSER 8/66-S12	500 38792

Technical Data

Optical data	
Typ. operating range limit ¹⁾	14m
Operating range ²⁾	10m
Light source	LED (modulated light)
Wavelength	660nm (visible red light)
Timing	
Switching frequency	200Hz
Response time	2.5ms
Delay before start-up	≤ 100ms
Electrical data	
Operating voltage U_B	10 ... 30V DC
Residual ripple	≤ 15% of U_B
Bias current	≤ 35mA
Switching output/function	2 push-pull switching outputs ³⁾ pin 2: PNP dark switching, NPN light switching pin 4: PNP light switching, NPN dark switching
Signal voltage high/low	≥(U_B -2V) / ≤ 2V
Output current	max. 100mA
Sensitivity	not adjustable
Indicators	
LED yellow, receiver	light path free
LED yellow flashing, receiver	light path free, no performance reserve
Mechanical data	
Housing	metal
Optics cover	glass
Weight (plug/cable)	70g/140g
Connection type	M12 connector, 5-pin (turning)
Environmental data	
Ambient temp. (operating/storage)	-20°C ... +60°C/-40°C ... +70°C
Protective circuit ⁴⁾	2, 3
VDE safety class ⁵⁾	II, all-insulated
Protection class ⁶⁾	IP 67
LED class	1 (acc. to EN 60825-1:1994+A1:2002+A2:2001)
Standards applied	IEC 60947-5-2

- 1) Typ. operating range limit: max. attainable range without performance reserve
2) Operating range: recommended range with performance reserve
3) The push-pull switching outputs must not be connected in parallel
4) 2= polarity reversal protection, 3= short circuit protection for all outputs
5) Rating voltage 250 VAC
6) In stop position of the turning connector (turning connector locked)

Tables

0	10	14
---	----	----

- Operating range [m]
 Typ. operating range limit [m]