

AMI 42



Active beam deflection for 2-beam multiple light beam safety devices (AOPD type 2, 4)

AMI 42 is an active deflection mirror with an integrated transmitter and receiver system. The infra-red light signals picked up by the receiver are sent back unchanged via the transmitter to the safety system. High function range is achieved by the amplification of the light signal.

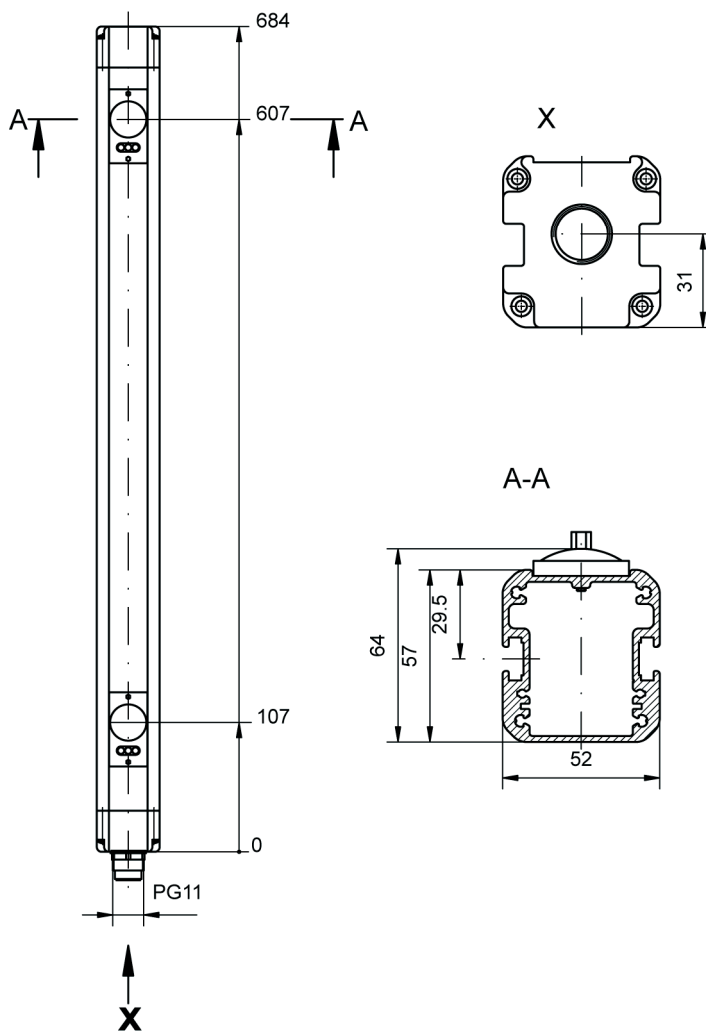
Advantages

- Beam distance 500 mm (according to EN 999)
- Active deflection mirror in sturdy aluminium extrusion profile
- Simple alignment because of optical parts with +/- 2 ° effective beam width
- Integrated lens heating system for use in extreme environmental conditions
- Simple mounting via adjustable M6 sliding brackets

Areas of application

In combination with a ROBUST RRT 42 multiple light beam safety device the AMI 42.1 is a type 4 AOPD functional unit in acc. with EN/IEC 61496-1 and 2. In combination with a ROBUST RRT 22 multiple light beam safety device it becomes a type 2 AOPD (testing) in acc. with EN/IEC 61496-1 and 2.

Dimensional drawings



- a = receiver module
- b = transmitter module
- c = prepared for PG 9 (at the front and back)

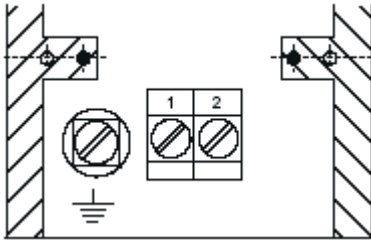
Subject to change without notice



600881 – 02/08 – **Leuze lumiflex GmbH + Co. KG**
 Liebigstraße 4
 D-82256 Fürstenfeldbruck
 Tel: +49 8141 5350-0
 Fax: +49 8141 5350-190
 E-Mail: lumiflex@leuze.de
 www.leuze.com

Electrical connection

Connection of the terminals



1 = supply voltage 24 V DC
2 = supply voltage 0 V

Technical data

Classification	Type 4 according to EN/IEC 61496-1, -2
----------------	--

Optical data

Operation range	with RRT 42: 50 m with RRT 22: 50 m
Light source, transmitting module	LED, Infra-red (alternating light)
Wave length	880 nm

Electrical data

Operation voltage U_B	24 V DC +/- 15 %
Residual ripple	15 % of U_B
Power input	approx. 80 mA

Displays

Receiver module LED yellow	at U_B on
Transmitter module LED yellow	transmitter active

Mechanical data

Housing	Aluminium-extrusion profile
Color	RAL 1021, yellow
Optical parts	Glass, with lens heating system
Weight	900 g
Connection	with cable gland, PG11

Environmental data

Ambient temperature (operation/storage)	-25 °C to +55 °C/ -30 °C to +70 °C
VDE protection class	III (operation only with safe low voltage)
Enclosure rating	IP 67

Technical data

Notes

AMI 42 active beam deflection is in connection with a transceiver:

- **RRT 22** an **AOPD type 2** according to EN/IEC 61496-1, -2
- **RRT 42** an **AOPD type 4** according to EN/IEC 61496-1, -2

Ordering information

Active beam deflection AMI 42

(active deflection mirror)

order no. 50029087

(2 standard brackets in the scope of supply)

Accessories

- Plug accessories nach DIN 43651, AS 78-01
order no. 50021778
- Swivelling mount with absorption of vibration (2 pieces per unit necessary)
order no. 560300