

CPM500/2V



Passiv deflecting mirror for 2-beam Multiple Light Beam Safety Devices

CPM500/2V is designed for use as the deflecting mirror unit for COMPACT transceivers CRT and for muting transceivers COMPACTplus CPRT-m. The integrated optically aligned mirror system ensures simple mounting and alignment, substantially decreasing the start-up time as compared with single mirrors.

Used in combination with transceivers COMPACT CRT or with COMPACTplus CPRT-m, CPM500/2V is suited for sensing zone widths of up to 6.5 m. The integrated mirror system is able to tolerate deviations in vertical and axial alignment.

Application

In combination with the 2-beam transceivers COMPACTplus CPRT-m or COMPACT CRT for safeguarding access, e.g. at palletizing systems and in warehouse and conveyor technology.

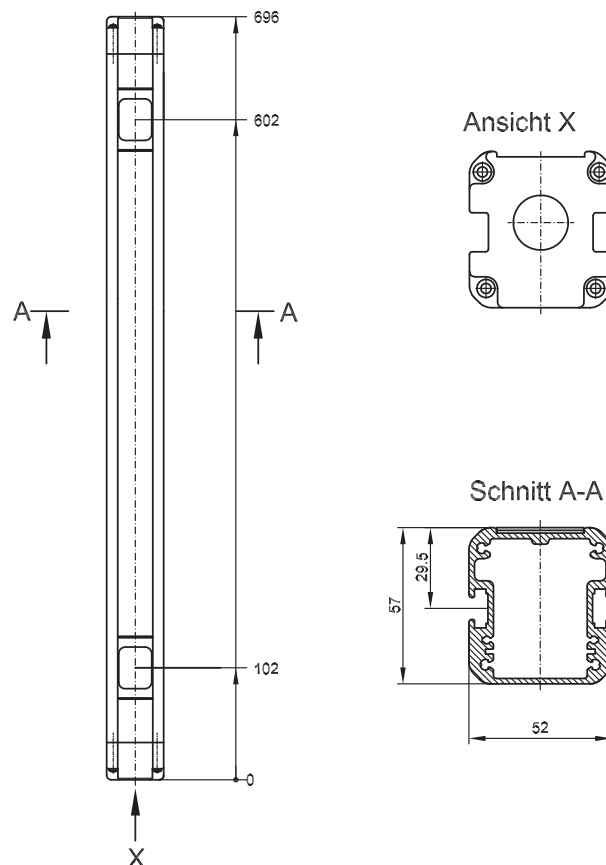


Leuze lumiflex GmbH + Co. KG
 Liebigstraße 4
 D-82256 Fürstenfeldbruck, Germany
 Tel. +49 8141 5350-0
 Fax +49 8141 5350-190
 E-Mail: lumiflex@leuze.de
 www.leuze.com

Advantages

- Easy alignment due to integrated optically aligned mirror system
- Operating ranges of up to 6.5 m
- Enclosed profile housing prevents contamination of and damage to the mirrors
- Adjustable M6 sliding nuts for fast and easy mounting
- Tolerates both, vertical and axial deviations in alignment

Dimensional Drawings



Note

Do not use cleaning agents containing solvents to clean the covering screens of the light openings. Clean only with a soft cleaning cloth.

Order Details

Type	Art. no.
Passive deflecting mirror CPM500/2V	909606*
Passive deflecting mirror CPM500/2V SO	909607**

* 2 standard mounting brackets, 2 M6 sliding nuts and mounting screws included

** For mounting in device column incl. 2 M6 sliding nuts, without mounting brackets and screws

Accessories

Type	Art. no.
Swivelling mount with absorption of vibration (2 pieces per unit necessary)	560300
Mounting column UDC-1000-S1 (height 1060 mm)	549827
Mounting column UDC-1300-S1 (height 1360 mm)	549828
Mounting column UDC-1600-S1 (height 1660 mm)	549814
Mounting column UDC-1900-S1 (height 1960 mm)	549829

CPM500/2V