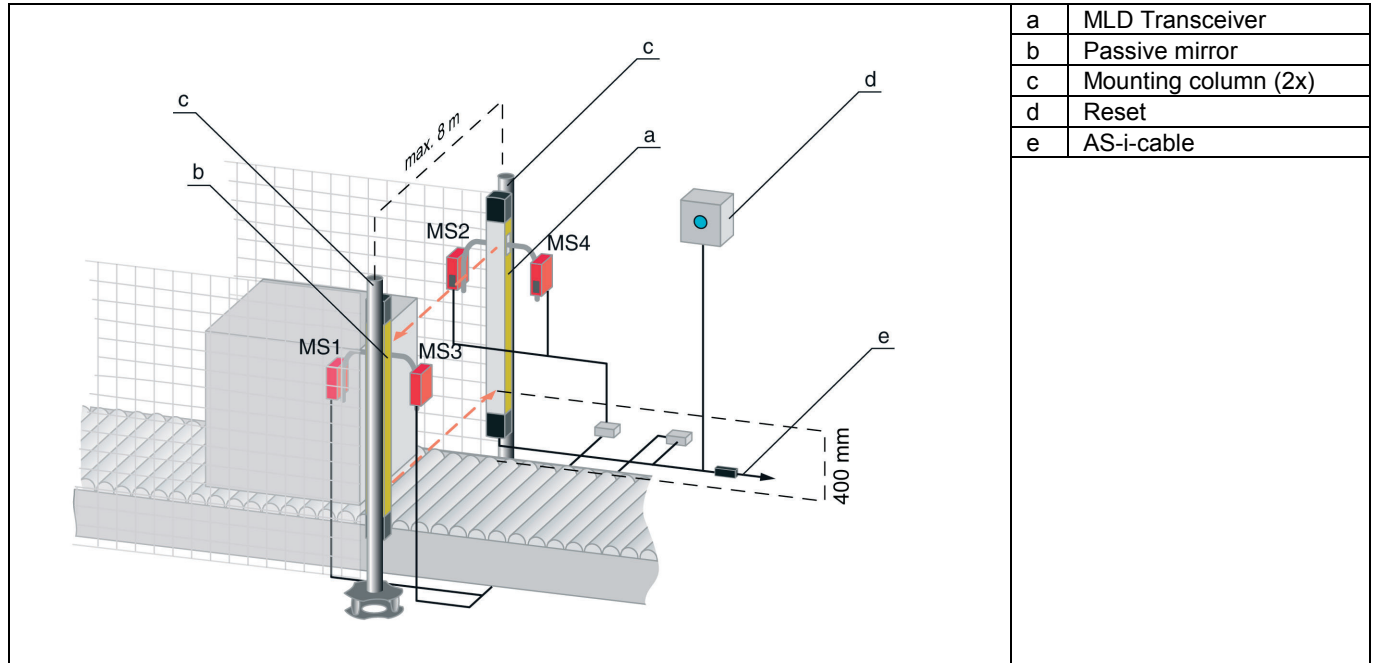


AS-i Safety Sensor Set

MLDSET-S3A (range 8 m) are sets for access control with integrated AS-i interface incl. Muting Sensors and mounting columns for Muting operation via AS-i.

MLDSET-S3A



Art-Nr. 700958

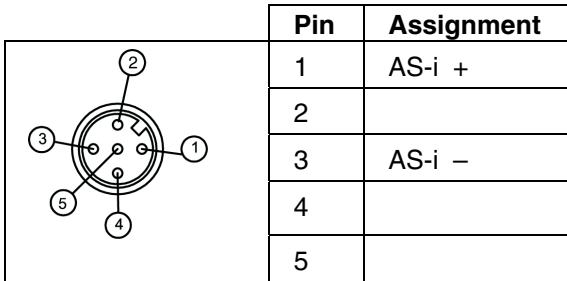
Scope of delivery

MLDSET-S3A			
Quantity	Art.-No.	Article	Description
1	66538102	MLD510-RT2ME/A	MLD Transceiver
1	66500100	MLD-M002	Passive mirror
2	549603	UPM40-1800	Mounting column
4	549604	BT-2UPM40	Mounting bracket
4	50106551	IHRT 46B/4-S12	Muting Sensors
4	50030556	BT 46.1	Mounting bracket
4	345625	Round rod 90°/12mm 60x130mm	Round rod
4	50022283	UMS 1-03	Mounting bracket
2	150681	CB-M12-1500-3GF/WM	Connecting cable, 3-pole, length 1,5 m
2	150685	CB-M12-15000-3GF/WM	Connecting cable, 3-pole, length 15 m
1	548011	CB-M12-15000-4WML	Connecting cable, 4-pole, length 15 m
8	425721	BT-NC-M5-M6	Sliding nut

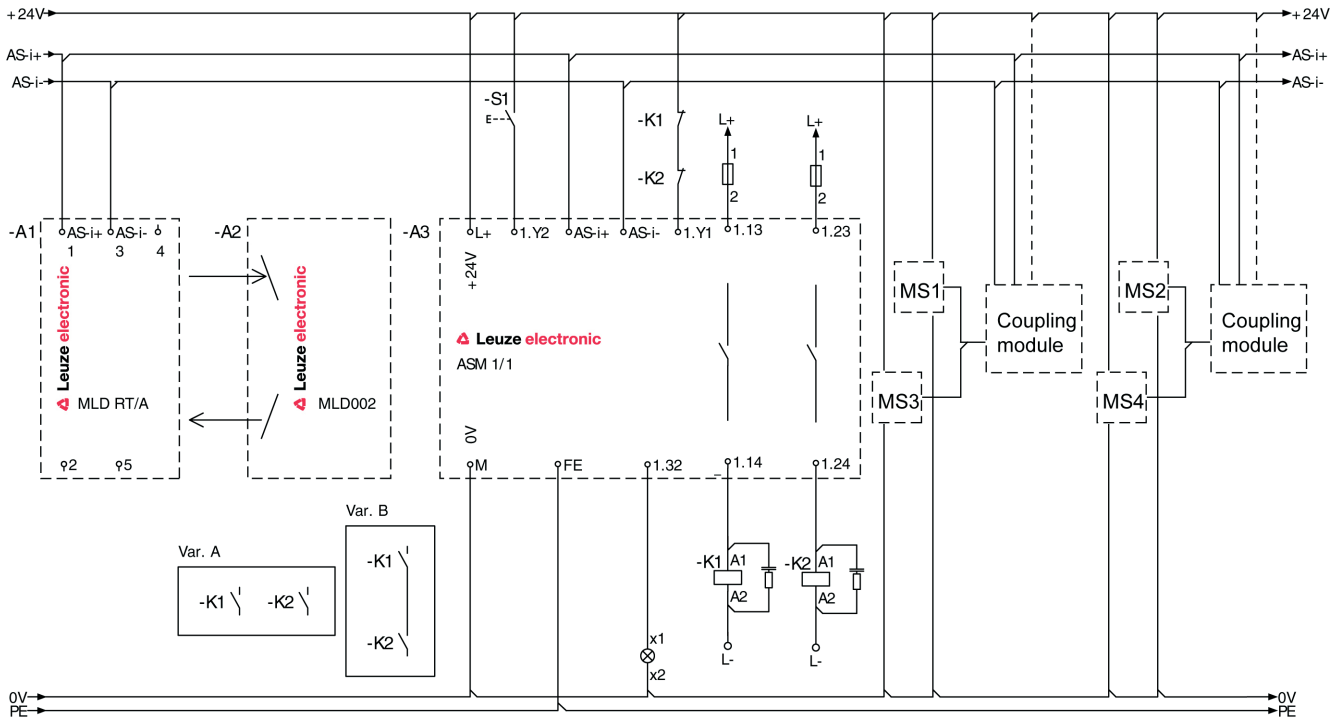
We reserve the right to make changes

Electrical connection

MLD transceiver are supplied by the AS-I cable.



Connection example



Setting the device into service

Notice: For further informations see As-i Master and MLD documentation.

Ordering information

Art.-No.	Article
66900003	MLDSET-S3A