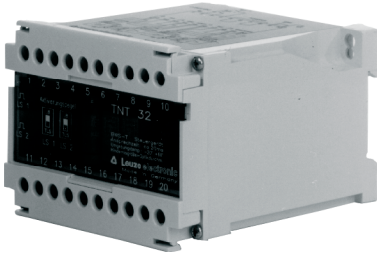


# TNT 32



## Test monitoring unit



Safety note:

- The test monitoring unit TNT 32 is an electro sensitive protective device (ESPE) category 2 according to prEN 50100-1, only in connection with an EC certified protective photoelectric sensor (AOPD category 2).

## Accessories

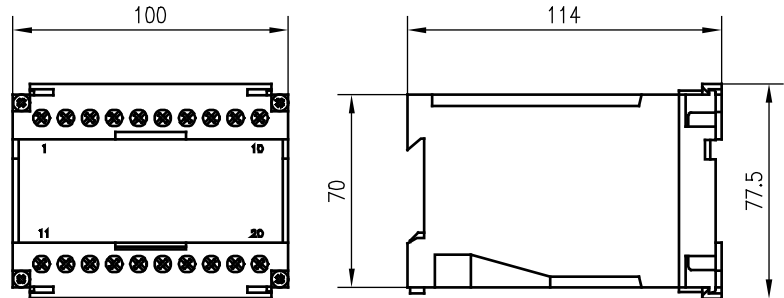
(available separately)

- EC model tested throughbeam protective photoelectric sensors of the series:
  - 46 Series
  - 78 Series
  - 85 Series
  - 92 Series
  - 95 Series
  - 96 Series
  - 763 Series

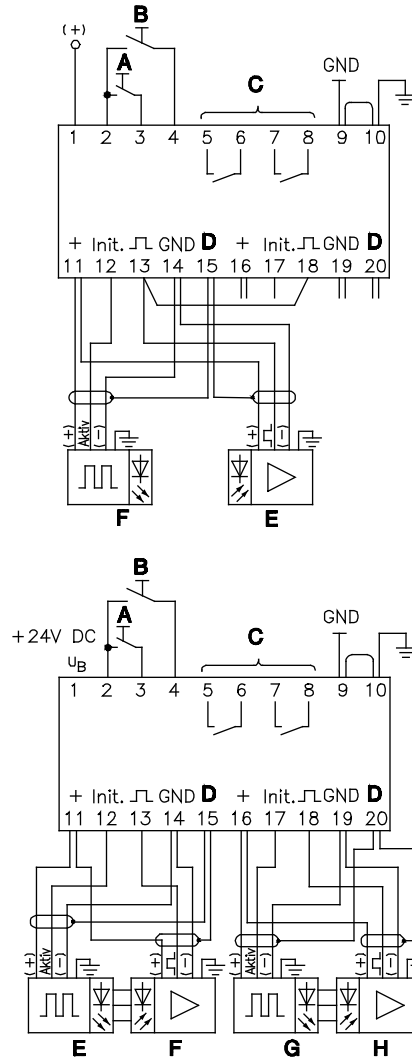
## Features

- Connection possibility for all throughbeam protective photoelectric sensors (AOPD category 2) with test or activation input
- Starting test with 2 channel test input
- 2 channel output with forced security relay contacts
- Integrated start and restart-disable

## Dimensional Drawing



## Connection



- |                  |               |
|------------------|---------------|
| <b>A</b> Test 1  | <b>E</b> Re 1 |
| <b>B</b> Test 2  | <b>F</b> Tr 1 |
| <b>C</b> Outputs | <b>G</b> Re 2 |
| <b>D</b> Shield  | <b>H</b> Tr 2 |

606701 – 2009/01 Subject to change without prior notice



**Leuze electronic GmbH + Co. KG**  
 Liebigstrasse 4  
 82256 Fuerstenfeldbruck / Germany  
 Phone +49 8141 5350-0  
 Telefax +49 8141 5350-190  
 info@leuze.de  
 www.leuze.com

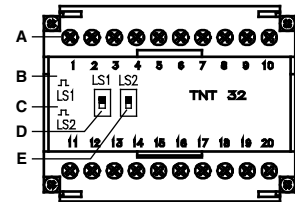
## Technical Data

<b>Supply</b>	
Operating voltage $U_B$	24V DC
Residual ripple	$\leq 15\%$ of $U_B$
Current consumption	approx. 200mA
Response time	$\leq 20\text{ms}$
<b>Test inputs</b>	
Voltage	$+U_B$ (active high)
Current	$\leq 25\text{mA}$
Pulse duration	$\geq 60\text{ms}$
<b>Outputs</b>	
2 voltage free relay contacts (make-contact)	
Switching voltage	220V AC                      10 ... 60V DC
Switching current	2.0A                                2A (resistive load)
Fuse	2A MT
<b>Mechanical data</b>	
Dimensions	100x77,5x114mm (WxHxD)
Weight	approx. 470g
Housing	polycarbonate, cover ABS/v-o gray
Connection	screw connections 2x2.5mm <sup>2</sup> acc. to DIN 46288
Mounting type	snap-on mounting for standard rail
<b>Environmental data</b>	
Ambient temp. (operating/storage)	-20°C ... +60°C/-30°C ... +70°C
Protection class	IP 40 (only for application in electrical operating rooms/ switching cabinet with minimum protection class IP 54 is suitable)

## Order guide

Designation	Art. no.
TNT 32	500 20476

## Tables



- A Connection terminals
- B Status display light barrier 1
- C Status display light barrier 2
- D Selector switch activation level light barrier LS1
- E Selector switch activation level light barrier LS2