

SLS 96 Ex n

Protective throughbeam photoelectric sensors

Dimensioned drawing

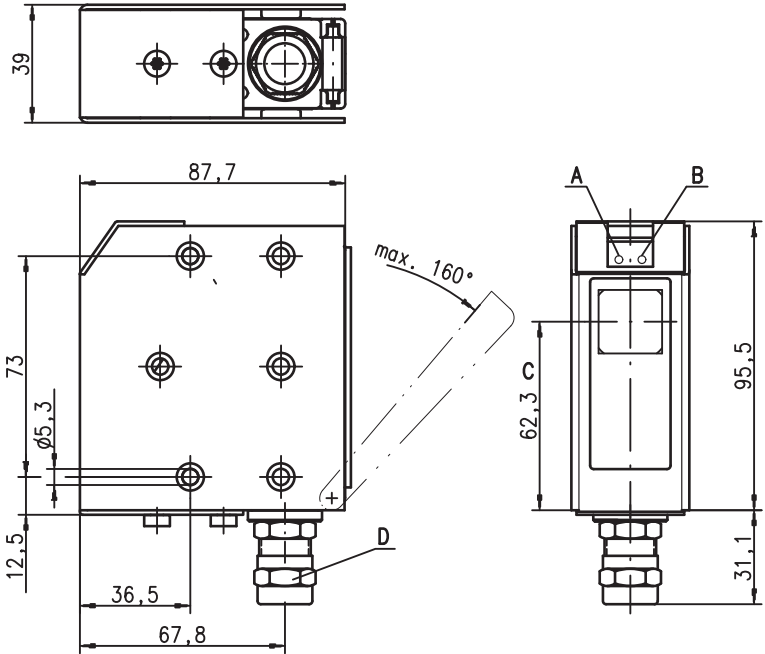
Part No. 501 11378



0 ... 65m



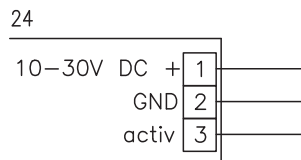
- Protective throughbeam photoelectric sensor cat. 2 (testing) with high performance reserve in infrared light
- Robust metal housing with shock-resistant optical window, protection class IP 67/ IP 69K for industrial application
- 2 indicators each at the transmitter and receiver for displaying their status when commissioning and in operation
- Connection via comfortable terminal compartment
- Ex II 3G Ex nA II T4
- Ex II 3D Ex tD A22 IP67 T70°C



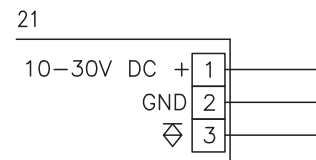
- A** Green indicator diode
- B** Yellow indicator diode
- C** Optical axis
- D** Screwed cable gland M16x1.5 for Ø 5 ... 10mm

Electrical connection

Transmitter



Receiver



We reserve the right to make changes • 96_ex_a19gb.fm



Accessories:

(available separately)

- Mounting systems (BT 96, BT 96.1, UMS 96, BT 450.1-96)
- Alignment aid ARH 96
- Test-monitoring units:
 - TNT 32 (Part No. 500 20476)
 - TNT 33 (Part No. 500 28158)
 - TNT 34 (Part No. 500 81023)
 - TNT 35 (Part No. 500 33058)
 - TMC 66 (Part No. 500 82121)

Specifications

Optical data

Typ. operating range limit ¹⁾
 Operating range ²⁾
 Light source
 Wavelength

Infrared light

0 ... 65m
 0 ... 50m
 LED (modulated light)
 880nm

Timing

Sensor switching frequency
 Sensor response time
 Delay before start-up

500Hz
 1 ms
 ≤ 200ms

Electrical data

Operating voltage U_B
 Residual ripple
 Open-circuit current
 Switching output
 Function characteristics
 Signal voltage high/low
 Output current

10 ... 30VDC (incl. residual ripple)
 ≤ 15% of U_B
 ≤ 50mA
 PNP transistor
 light switching
 $\geq (U_B - 2V) \leq 2V$
 max. 100mA

Indicators

Green LED

ready

receiver

Yellow LED

light path free

Yellow LED, flashing

light path free, no performance reserve

transmitter

Yellow LED

transmitter active

Mechanical data

Housing
 Optics cover
 Weight
 Connection type
 Screwed cable gland

Metal housing

diecast zinc
 polycarbonate
 380g
 terminals, cable diameter 5 ... 9mm
 EEx e II clamping torque 3.5Nm

Environmental data

Ambient temp. (operation/storage)
 Protective circuit ³⁾
 VDE safety class ⁴⁾
 Protection class
 LED class
 Standards applied

-20°C ... +50°C/-40°C ... +55°C
 1, 2, 3
 II, all-insulated
 IP 67, IP 69K ⁵⁾
 1 (acc. to EN 60825-1)
 IEC 60947-5-2

Explosion protection

Labelling (CENELEC)

Options

Activation input activ

Transmitter active/not active

Activation/disable delay

Input resistance

$\geq 8V \leq 2V$
 $\leq 1ms$
 $10K\Omega \pm 10\%$

- 1) Typ. operating range limit: max. attainable range without performance reserve
- 2) Operating range: recommended range with performance reserve
- 3) 1=transient protection, 2=polarity reversal protection, 3=short circuit protection for all outputs
- 4) Rating voltage 250 VAC
- 5) IP 69K test acc. to DIN 40050 part 9 simulated, high pressure cleaning conditions without the use of additives, acids and bases are not part of the test

Order guide

	Designation	Part No.
Transmitter and receiver	SLS 96M/P-1079-T2-2 Ex n	
Transmitter	SLSS 96 M-1089-T2-24 Ex n	501 11085
Receiver	SLSE 96 M/P-1079-T2-21 Ex n	501 11086

Tables

Diagrams

Remarks

- The protective through-beam photoelectric sensor is a contactless active protective device only in connection with a safety-relevant control system, in which the cyclical testing of transmitter and receiver is carried out according to EN 61496-1, category 2 (testing).
- The power supply unit used to operate the photoelectric sensor has to be able to compensate for changes and interruptions of the supply voltage acc. to EN 61496-1. Minimum blackening object dia: Ø 28mm.

Operating instructions for sensors for use in potentially explosive areas of Group II, Category 3, Zones 2 ("Gas Ex") and 22 ("Dust Ex")

The sensors produced by Leuze electronic GmbH + Co. KG for use in potentially explosive areas are sensors which function on the optical electronic principle. Without making physical contact, these sensors detect objects which are located in or which pass through the light beam.



Attention!

Electrical equipment may endanger humans and (where applicable) animal health, and may threaten the safety of goods if used incorrectly and under unfavourable conditions in potentially explosive areas.

A safe operation in potentially explosive areas is only possible if the equipment is used properly and for its intended purpose.

This requires that the installation and operating instructions are adhered to and that appropriate measures are taken to ensure that this is effectively and permanently ensured.



Notes!

- In order to achieve a safe operation of sensors of Group II, Category 3, in potentially explosive areas, installation and protective devices appropriate to the application must ensure that operational events do not damage or overload the equipment.

Installation, Commissioning

In order to comply with the requirements acc. to EN 61 241-1 and EN 60 079-15, the following prerequisites must be met:

- Devices with connector (e.g. Series 46B) must be equipped with an additional safeguard or a mechanical interlocking guard K-VM12-Ex (Part No. 501 09217) to avoid unintended separation of the connectors. The warning sign "Do not disconnect under voltage" that is supplied with the device must be attached to the sensor or its mounting bracket so that it is clearly visible.
- Devices with terminal compartment lid (e.g. Series 96) must only be commissioned if the terminal compartment lid of the device is properly sealed.
- Connection cables and connectors must be protected from excessive or unintended pulling or pushing strain.
- The requirements according to EN 61 241-1 regarding dust deposits and temperatures must be observed.



Attention!

- Due to the physical circumstances, the sensors must not be used for the protection of persons or for purposes of emergency shutdown.
- The sensors must only be installed and maintained by trained electricians.
- The applicable regulations for the installation of electrical equipment in potentially explosive areas must be observed.

Maintenance

No changes may be made to the sensors for potentially explosive areas.

Repairs to the sensors may only be performed by persons trained for such work or by the manufacturer. Defective devices must be replaced immediately.

Cyclical maintenance of the sensors is not necessary.

Depending on the environmental conditions, it may occasionally be necessary to clean the optical surface of the sensors. This cleaning must only be performed by appropriately trained persons. We recommend using a soft, damp cloth for this purpose. Cleaning agents that contain solvents must not be used!

Chemical resistance

The sensors demonstrate good resistance against many diluted acids and bases.

Exposure to organic solvents is possible only under certain circumstances and only for short periods of time.

Resistance to chemicals should be examined on a case by case basis.

the **sensor** people

EG-Konformitätserklärung
-EC Declaration of Conformity
-Déclaration CE de conformité
-Declaración de conformidad CE

Name des Herstellers:

*-Name of the manufacturer:***Leuze electronic GmbH+Co. KG***-Le constructeur:**-Nombre del fabricante:*

Anschrift:

*-Address:***In der Braike 1 D-73277 Owen/ Teck***-domicilé:**-Dirección:*

Erklärt unter alleiniger Verantwortung, dass das Produkt mit der Bezeichnung:

*-declares under sole responsibility that the products with the designation:**-assumant sa pleine et entière responsabilité déclare que les produits avec la Référence:**-declara bajo su propia responsabilidad, que los productos con el Número de pedido:*

LSS 96M-1079-23 Ex n	50111015
LSE 96M/P-3019-21 Ex n	50111016
LSS 96M-1809W-73 Ex n	50111380
LSE 96M/A-1829W-73 Ex n	50111379
SLSS 96M-1089-T2-24 Ex n	50111085
SLSE 96M/P-1079-T2-21 Ex n	50111086

Kennzeichnung Gas:

*-Marking for gas:**-Certification gaz:**-Certificación gas:* **II 3G Ex nA II T4**

Kennzeichnung Staub:

*-Marking for dust:**-Certification poussière:**-Certificación polvo:* **II 3D Ex tD A22 IP67 T70°C**

Folgenden Richtlinien und Normen für die Gerätegruppe II, Gerätekategorie 3 entsprechen und bei bestimmungsgemäßer Verwendung und Beachtung der Betriebsanleitung die grundlegenden Sicherheits- und Gesundheitsanforderungen erfüllen.

*-conform to the following directives and standards for equipment group II, equipment category 3. They fulfill the basic health and safety requirements if used as intended and in accordance with the operating manual.**-sont conformes aux directives et normes ci-dessous pour les appareils du groupe II, catégorie 3 et que sous réserve d'utilisation conforme et du respect des consignes du manuel d'utilisation ceux-ci répondent aux exigences fondamentales pour la sécurité et la santé.**-corresponden a las directivas y normas para grupo de aparatos II categoría de aparatos 3 y que cumplen los requerimientos de seguridad y de salud al ser empleados debidamente teniendo en cuenta las instrucciones de uso.*

Richtlinie 94/9/EG / Richtlinie 89/336/EWG

*-Directive 94/9/EC / Directive 89/336/EEC**-Directive 94/9/CE / Directiva 89/336/CEE**-Directiva 94/9/CE / Directiva 89/336/CEE***EN 60947-5-2:1998+A1:1999+A2:2004****EN 60825-1:1994+A1:2002+A2:2001****EN 60079-15:2005****EN 61241-1:2004**

Owen, den 11. Februar 2009


Dr. Harald Grübel (Geschäftsführer/ General Manager/ Directeur / Gerente)

Leuze electronic GmbH + Co. KG
In der Braike 1
D-73277 Owen
Telefon +49 (0) 7021 573-0
Telefax +49 (0) 7021 573-199
info@leuze.de
www.leuze.com

Leuze electronic GmbH + Co. KG, Sitz Owen, Registergericht Stuttgart, HRA 230712
Persönlich haftenden Gesellschafterin Leuze electronic Geschäftsführungs-GmbH,
Sitz Owen, Registergericht Stuttgart, HRB 230650
Geschäftsführer Dr. Harald Grübel (Vorsitzender), Karsten Just
USt.Id.Nr. DE145912521 | Zollnummer 2554232
Es gelten ausschließlich unsere aktuellen Verkaufs- und Lieferbedingungen.
Only our current Terms and Conditions of Sale and Delivery shall apply.