



RK 70/RK 716

Energetic diffuse reflection light scanner



10mm
2.5mm



- Small construction volume enables application in small spaces
- Scratch resistant glass cover
- High insensitivity towards soiling and shocks
- Through selection of appropriate amplifiers optimally adaptable to applications



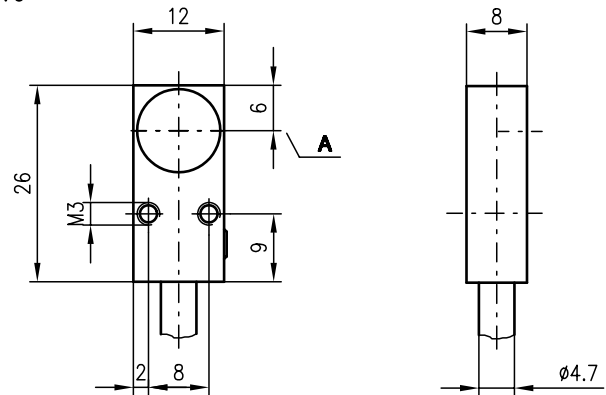
Accessories:

(available separately)

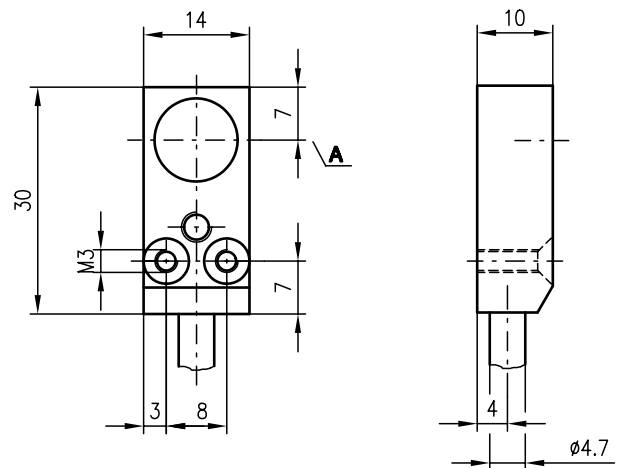
- Amplifier for mini photoelectric sensors, e.g.
 - VS 9/1 (Part No. 500 00632)
 - IVS 9/4.8 (Part No. 500 12303)
 - VS 27/24 (Part No. 500 82005)
 - IVS 28/44.8 (Part No. 500 19808)

Dimensioned drawing

RK 70



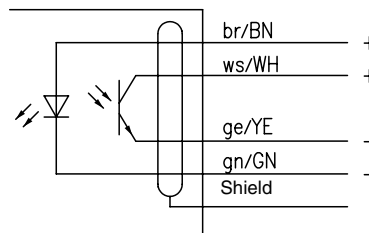
RK 716



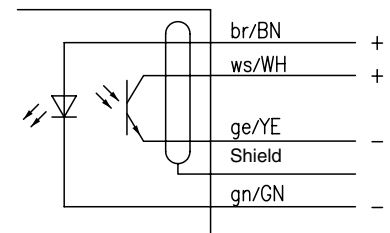
A Optical axis

Electrical connection

RK 70



RK 716





Specifications

Optical data

Scanning range (white 90%) ^{1) 2)}
Light source
Wavelength

RK 70
1 ... 10mm
LED (modulated light)
880nm

RK 716
0.5 ... 2.5mm

Electrical data

Transmitter
Transmitting current
Receiver
Inverse voltage U_{CEO}

GaAs
max. 200mA at D=0.05
Si phototransistor
max. 35VDC

Mechanical data

Housing
Optics
Weight
Cable
Cable cross-section

aluminium red anodised
glass
approx. 70g
2000mm
4x0.14mm²+shield

approx. 90g

Environmental data

Ambient temp. (operation/storage)
Protection class

-20°C ... +60°C/-30°C ... +70°C
IP 65

1) The scanning range depends on the choice and on the sensitivity adjustment of the respective amplifier
2) With RK 716 objects are safely suppressed at distances starting at 9mm

Tables

Diagrams

Order guide

Designation	Part No.
RK 70	500 00390
RK 716	500 00575

Remarks

- The upper and lower scanning range limit varies depending on the reflection properties of the material surface.
- If a cable lengthening should be necessary, make sure that the shield is lead continuously.