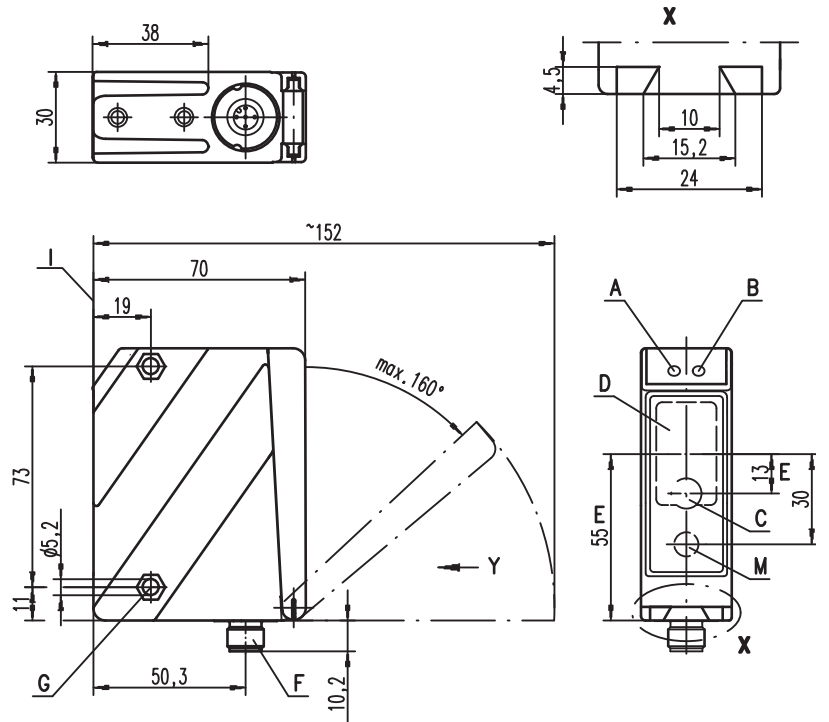


ODSIL 96B

Optical laser distance sensors

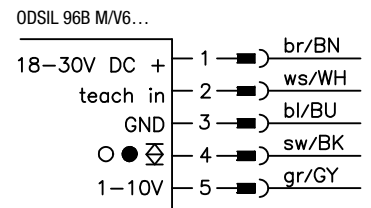
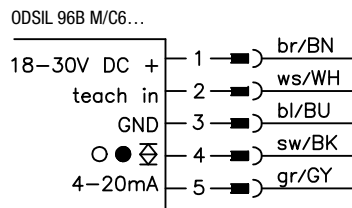


Dimensioned drawing

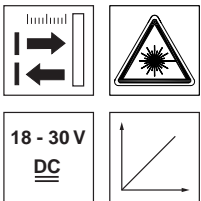


- A** Indicator diode green
- B** Indicator diode yellow
- C** Transmitter
- D** Receiver
- E** Optical axis
- F** Device plug M12x1
- G** Countersinking for SK nut M5, 4.2mm deep
- H** OLED display
- I** Reference edge for the measurement (cover glass)
- K** Key pad
- L** Green and yellow indicator diodes
- M** Transmitter / Pilot beam

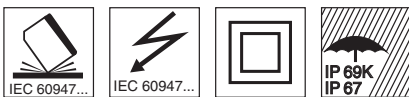
Electrical connection



0.3 ... 10m



- Measurement range up to 10000mm at 90% diffuse reflection
- Reflection-independent distance information up to 6000mm
- Infrared laser diode with laser class 1
- Switchable laser alignment aid with pilot laser beam
- Highly insensitive to extraneous light
- Analog current or voltage output
- PC/OLED display and key pad for configuration
- Measurement value is indicated in mm on OLED display
- Measurement range and mode adjustable



Accessories:

(available separately)

- Mounting systems
- Cable with M12 connector (K-D ...)
- Configuration software

en 01-2010/09 50114025

We reserve the right to make changes • DS_ODSIL96B_M_TOF_S12_en.fm

Specifications

Optical data

Measurement range	300 ... 10000mm (90% diffuse reflection), 300 ... 6000mm (6 ... 90% diffuse reflection)
Resolution	3mm
Light source	laser
Wavelength	785nm (infrared light), laser alignment aid: 658nm (visible red light)
Light spot	divergent, 2x6mm ² at 5m

Error limits (relative to measurement range end value 6000mm)

Absolute measurement accuracy ¹⁾	± 0.5%
Repeatability ²⁾	± 5mm
B/w detect. thresholds (6 ... 90% rem.)	± 10mm
Temperature drift	± 1.5mm/K

Timing

Measurement time	"Fast" operating mode: 2.8ms "Standard" operating mode: 20ms "Precision" operating mode: 100ms (factory setting) ≤ 300ms
Delay before start-up	

Electrical data

Operating voltage U _B	...C6/V6	18 ... 30VDC (incl. residual ripple)
Residual ripple		≤ 15% of U _B
Open-circuit current		≤ 150mA
Switching output		push-pull switching output ³⁾ , PNP light switching, NPN dark switching
Signal voltage high/low		≥ (U _B -2 V)/≤ 2V
Analogue output	...V6 ...C6	voltage 1 ... 10V / 0 ... 10V / 1 ... 5V / 0 ... 5V, R _L ≥ 2kΩ current 4 ... 20mA, R _L ≤ 500Ω

Indicators

Green LED	continuous light off	teach-in on GND ready no voltage
Yellow LED	continuous light off	object within range / switching output object out of range / switching output

Mechanical data

Housing	diecast zinc
Optics cover	glass
Weight	380g
Connection type	M12 connector

Environmental data

Ambient temp. (operation/storage)	-20°C ... +50°C / -30°C ... +70°C
Protective circuit ⁴⁾	1, 2, 3
VDE safety class ⁵⁾	II, all-insulated
Protection class	IP 67, IP 69K ⁶⁾
Laser class	1 (acc. to EN 60825-1)
Standards applied	IEC 60947-5-2

- 1) For 300 ... 6000mm measurement range, luminosity coefficient 6% ... 90%, "Precision" operating mode, floating average calculation taking 30 measurement values into account, at 20°C after 20 min. warmup time, medium range of U_B, measurement object ≥ 50x50mm²
- 2) Same object, identical environmental conditions, "Precision" operating mode, floating average calculation taking 30 measurement values into account, after 20 min. warmup time, measurement object ≥ 50x50mm²
- 3) The push-pull switching outputs must not be connected in parallel
- 4) 1=transient protection, 2=polarity reversal protection, 3=short circuit protection for all outputs
- 5) Rating voltage 250VAC, with cover closed
- 6) IP 69K test acc. to DIN 40050 part 9 simulated, high pressure cleaning conditions without the use of additives. Acids and bases are not part of the test

Tables

Diagrams

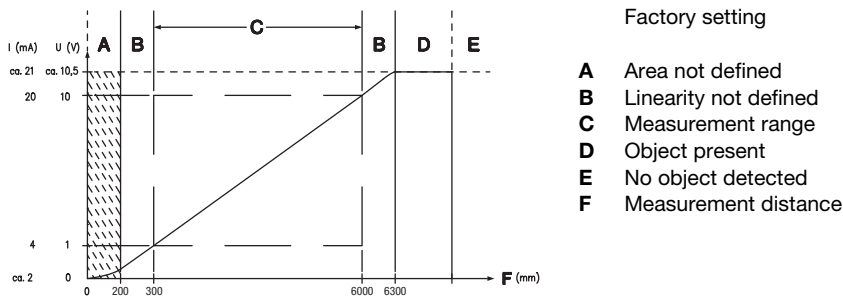
Remarks

- **Approved purpose:**
This product may only be used by qualified personnel and must only be used for the approved purpose. This sensor is not a safety sensor and is not to be used for the protection of persons.

Order guide

	Designation	Part No.
Analog current output		
Current output, teach input, 1 push/pull output	ODSIL 96B M/C6-S12	50109302
Analog voltage output		
Voltage output, teach input, 1 push/pull output	ODSIL 96B M/V6-S12	50109303

Analog output: characteristic curve for factory setting



Measurement mode and measurement filter

The user can individually adapt the measurement system of the ODSIL 96B to various applications. By configuring the measurement mode and measurement filter, either a higher measurement accuracy or, alternatively, faster measurements can be achieved. Configuration can be performed either directly on the sensor or with the ODS 96B configuration software.

Optimization of measurement mode

In the Application menu, you can set 3 different measurement filters.

Menu setting	Effect
Application -> Measure Mode -> Precision	high accuracy, measurement time of individual measurement: 100ms
Application -> Measure Mode -> Standard	exact and fast, measurement time of individual measurement: 20ms
Application -> Measure Mode -> Speed	fast measurement, measurement time of individual measurement: 2.8ms

Optimization of measurement filter

To achieve more precise measurement values, a measurement filter can be adjusted in addition to the measurement mode. In most cases, the use of a floating average results in a reduction in the variance of the measurement values. To use this, select the menu setting **Application -> Measure Filter -> Averaging**.

The number of measurement values to be taken into account can be set to a value between **1 ... 99** via menu setting **Application -> Measure Filter -> Averaging -> Measur. Count**.



Notice!

The measurement value display on the OLED display can be used to assess the efficiency of the selected measurement mode and measurement filter in the application. The update rate of the OLED display is always 2Hz. The ODS 96B configuration software provides identical functionality.

Factory setting of measurement mode:

On delivery, the sensor is preset so that measurement values with the maximum possible accuracy are achieved:

- Measurement mode **Precision**.

Reset to factory settings

Press the **↵** button while switching on the device to reset the configuration of the ODSIL 96B to the state upon delivery from the factory.

Press the **↵** button again to reset all parameters to the factory settings. All settings made previously are permanently lost.

Press **▼** and the ODSIL 96B returns to measurement operation without resetting the parameters.



You can also use the menu or the configuration software to reset to factory settings. For this purpose, select menu item Settings -> FactorySettings -> Execute.

The ODS 96B configuration software can also be used to reset the ODSIL 96B to factory settings.

Teach-in of switching outputs, analog characteristic output curve and Preset



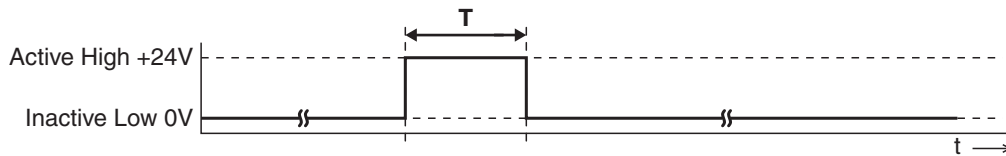
Notice!



If you have changed the factory setting for teaching under Input Mode, activate on the OLED display the menu item **Input -> Input Mode -> Teach**.

To teach, proceed as follows:

1. Position measurement object at the desired distance.
2. The respective teach function is activated on the teach input for the duration of a level change **T** (see graphical representation).
The level conditions describe the levels with menu setting **Input -> Input Mode -> Input polarity -> Active High +24V** (factory setting).



Teach function	Duration T
Switching output Q1	20 ... 80ms
Distance value for start of measurement range = 1V or 4 mA at analog output	220 ... 280ms
Distance value for end of measurement range = 10V or 20mA at analog output	320 ... 380ms



Notice!



If the inactive level is continuously applied on the teach input, the teach input is locked.

For menu setting **Input -> Input Mode -> Input polarity -> Active Low +0V**, inverted input signals are used during teaching.

Preset Teach-In

On the OLED display, activate for this purpose menu item **Input -> Input Mode -> Preset**.

The preset teach occurs in a manner analogous to that for the teach-in for switching output Q1.