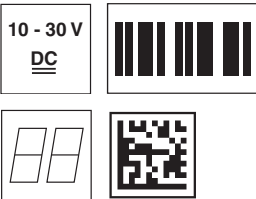


LSIS 122 M6M-R1

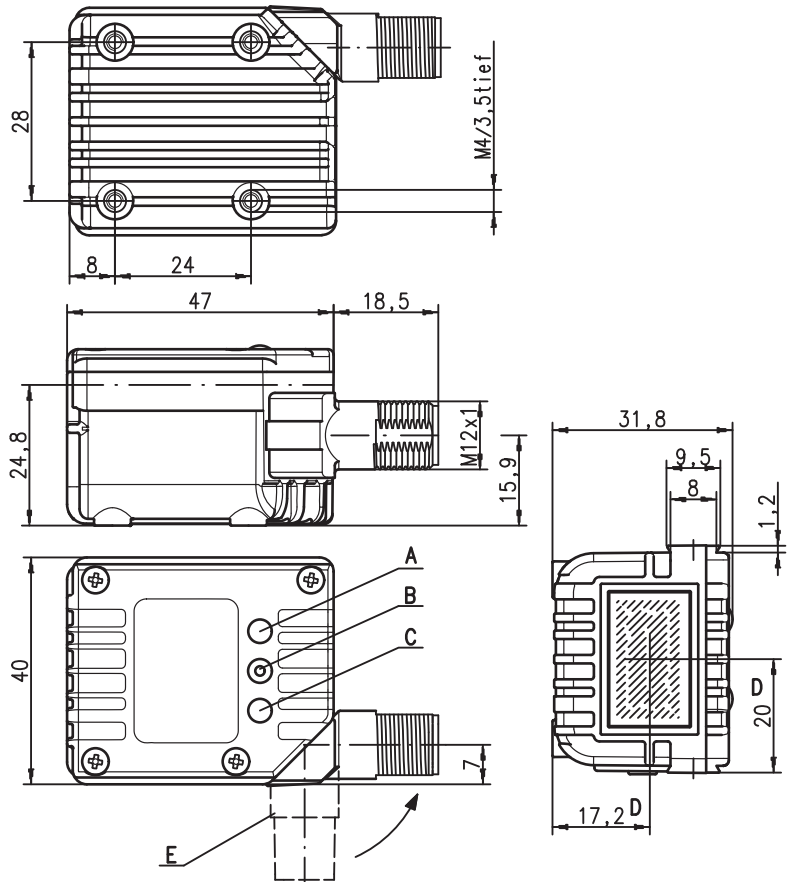
2D-code scanner

en 02-2010/12 50110754



- Very small and compact scanner for 2D codes, bar codes and batch codes
- High resolution
- Trigger via serial command, switching input or trigger button
- Built-in decoder
- LED indicator for completed read operations or switching input
- RS 232 interface
- Operating temperature from 0 through 40°C

Dimensioned drawing



- A Green LED: Power
- B Trigger button
- C Green LED: switching output / successful reading
Red LED: switching input / trigger
- D Optical axis
- E Turning connector, 90°

Electrical connection

8-pin M12 connector, A-coded.

LSIS 122 (RS 232)	8-pin connector	Signal	RS 232
	1	VIN	10 ... 30VDC
	2	SWIN	0 ... VIN
	3	GNDIN	0V
	4	SWOUT	0 ... VIN
	5	nc	
	6	Data	RXD ± 10V
	7	Data	TXD ± 10V
	8	Thread	FE



Accessories

- Mounting systems (BT 8-O, BT 8-D..., UMS8.2-D...)

We reserve the right to make changes • DS_LSIS_122_M6M_R1_en.fm

Specifications

Electrical data

Operating voltage U_B	10 ... 30VDC
Power consumption	1.3W
Current consumption	130mA (at 10VDC)

Interfaces

Interface type	RS 232 ($\pm 10V$)
Trigger	serial command, auto-trigger mode or switching input

Code types

2D codes	Data Matrix ECC 200, MaxiCode, PDF417, MicroPDF, QR Code, Aztec, Code 49, EAN/UCC Composite
Bar codes	2/5 Interleaved, Code 39, Code 128, Code 93, Codabar, UPC/EAN, RSS

Optical data

Optical system	high-resolution CMOS pixel array 1280x960
Contrast	45% (black/white)
Light source	integrated diffuse LED (red)
Read distance	25 ... 310mm (100% UPC / EAN 13)
Focal point	102mm
Read direction	omnidirectional, various tilt and rotational angles up to 45°

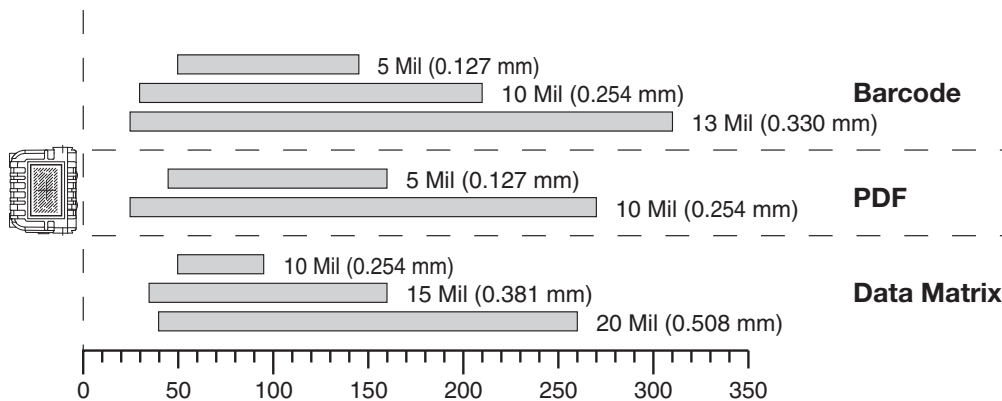
Mechanical data

Housing	diecast zinc
Weight	127g
Dimensions	47x40x32mm

Environmental data

Ambient temp. (operation)	0°C ... +40°C
Ambient temp. (storage)	-20°C ... +70°C
Relative air humidity	0 ... 95% (non-condensing)
Protection class	IP 65
Standards conformity	UL 60950-1

Reading field



Order guide

2D-code scanner

LSIS 122 M6M-R1

Standard Range, RS 232 interface

Part No.

50110307

Tables

Diagrams

Remarks

Very small and compact scanner for bar codes, with housing. Data transmission via configurable RS 232 interface.

- **Approved purpose:**
This product may only be used by qualified personnel and must only be used for the approved purpose. This sensor is not a safety sensor and is not to be used for the protection of persons.

Configuration

The stationary scanner can always be configured via barcodes. To do this, the barcodes on the package insert must first be selected and then the trigger actuated in order to read the code. The configuration is then immediately accepted and executed.

Several of the most important configurations are listed in the following.

A second option is to configure the stationary scanner with RS232 interface with the aid of the **MetroSet 2** PC program. You can download this program from our homepage at www.leuze.com and install it.

The program can be used to make settings and transfer them to the stationary scanner. The configuration can also be stored so that it can be reused at a later time.

The standard applications are described and summarized below.

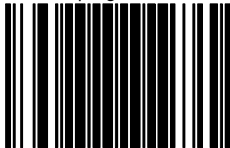
**Notice!**

Additional information on the device and short instructions can be found on the Internet at www.leuze.com.

Resetting the LSIS 122 to factory settings

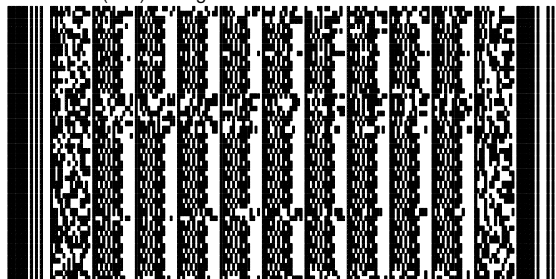
To reset the LSIS 122 to factory settings, scan the barcodes below in succession. For this purpose, either the trigger button is to be activated or the SWIN is to be set to high.

1. Enter program mode

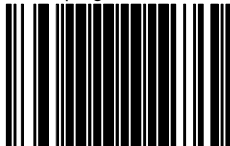


999999

2. Novram (512) Config



3. Exit program mode



999999

This results in the following settings:

- Data rate: 9600 baud, 8 data bits, 1 stop bit, no parity
- Framing protocol: STX ... CR LF
- No Read character: ?
- Triggering: SWIN or serial command

Trigger

To activate the read process, a trigger signal is to be sent via the serial RS 232 interface or USB interface (COM port emulation only). The command is to be sent at the set baud rate, parity, and data and stop bits.

The activation code is:	DC2
ASCII decimal value:	018
Keyboard entry:	Ctrl+R

To cancel read readiness, send a deactivation.

The deactivation code is:	DC4
ASCII decimal value:	020
Keyboard entry:	Ctrl+T

Following a successful read operation, the LSIS 122 deactivates itself.

The second option is activation via the switching input.