

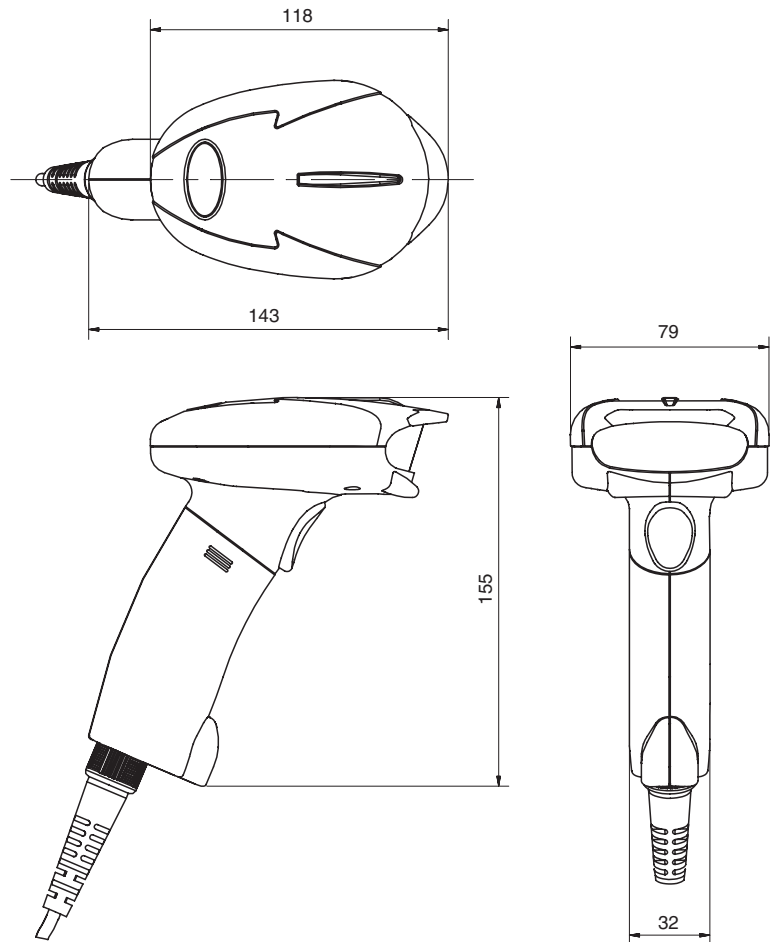


## Z-3070

## Longrange CCD Handheld Scanner



### Dimensioned drawing



VDE  
UL  
CSA



- Distances up to 500 mm
- Robust trigger button
- Built-in decoder
- Ergonomical and robust housing for different applications
- With RS232, USB and PS2/AT interface
- Operating temperature 0°C ... +40°C



### Electrical connection

#### Pin assignment

of 9-pin female D-Sub connector for Part No. 501 00054 (RS 232 cable)

Pin number	Signal	Meaning
2	TX	Transmit Data
3	RX	Receive Data
5	GND	Signal Ground
7	CTS	Clear to send
8	RTS	Request to send
9	+5VDC	5 Volts DC

#### Assignment

of plug-in connector (power supply)

Connection	Signal	Meaning
inside	+9VDC	9 Volts DC
outside	GND	Ground

### Accessories:

(available separately)

- PS2/AT cable for Z-3071 WA  
Part No. 501 00053
- RS 232 cable for Z-3071 WA  
Part No. 501 00054
- USB cable for Z-3071 WA  
Part No. 501 00051
- Holder for Z-3071 WA  
Part No. 501 00052
- Power supply PWO-90804-VD  
Part No. 500 34618

We reserve the right to make changes • z-3070\_e.fm



### Specifications

#### Electrical data

Operating voltage  $U_B$  5VDC  $\pm$ 5%  
Current consumption 160mA

#### Interfaces

Interface type Keyboard-Wedge PS2/IBMAT, RS 232, USB  
Emulation IBM PC/XT/AT, IBM PS/2 Model 30-80 and others

#### Bar codes

Code types Code 39, Code 39 full ASCII, 2/5 I, Code 128, UPC A, UPC E, EAN 8, EAN 13, JAN 8, Jan 13, ISBN/ISSN, IATA, MSI Plessey, Codabar, Code 93

#### Optical data

Optical system CCD longrange  
Resolution min. 0.127 mm  
Scan angle 30°  
PCS value  $\geq$  30%  
Light source LED (wavelength 650nm)  
Reading speed 300 readings/s  
Reading distance max. 500mm (100% EAN, PCS = 90)

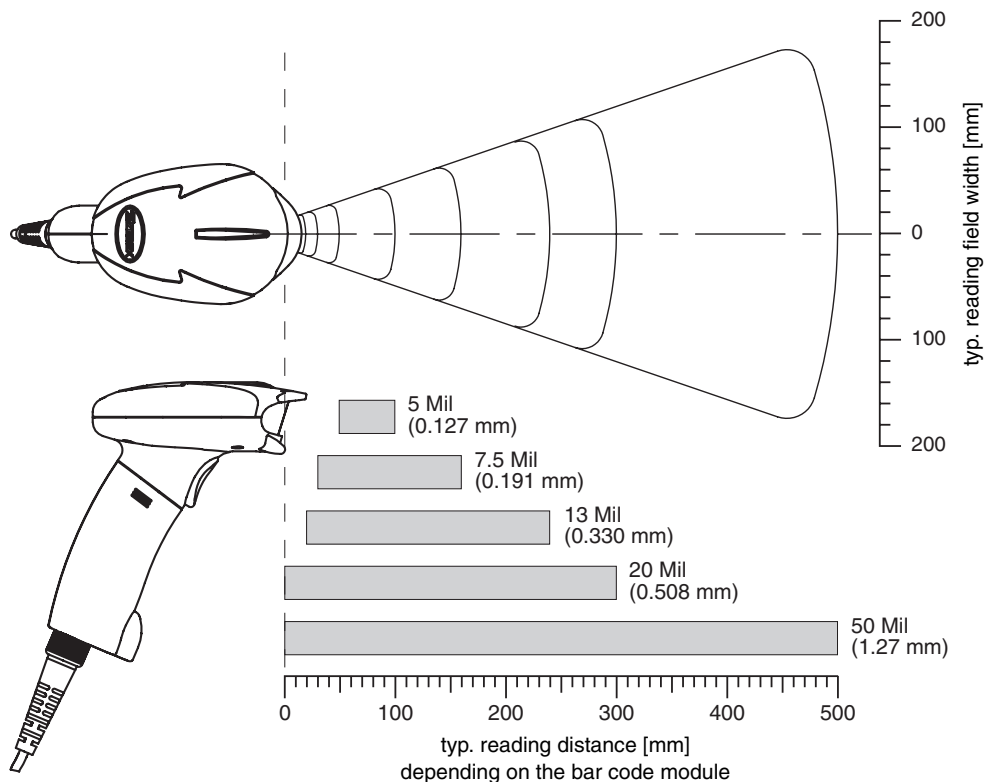
#### Mechanical data

Housing plastic ABS  
Weight 180g without cable  
Cable length approx. 2m  
Connector quick-lock connector  
Shock resistance 1 m fall on concrete floor

#### Environmental data

Ambient temperature (operation) 0°C ... +50°C  
Air humidity 10 ... 90% rel. humidity (non-condensing)  
Ambient light max. 4500 Lux (artificial light)  
max. 86000 Lux (sunlight)

### Reading curve



### Tables

### Remarks

### Order guide

	Designation	Part No.
Longrange CCD handheld scanner	Z-3070	501 02927