

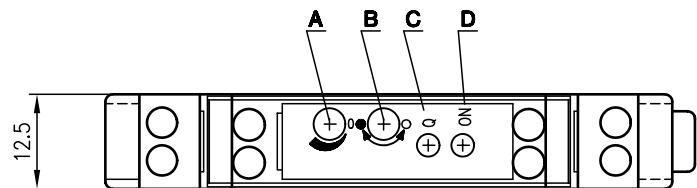
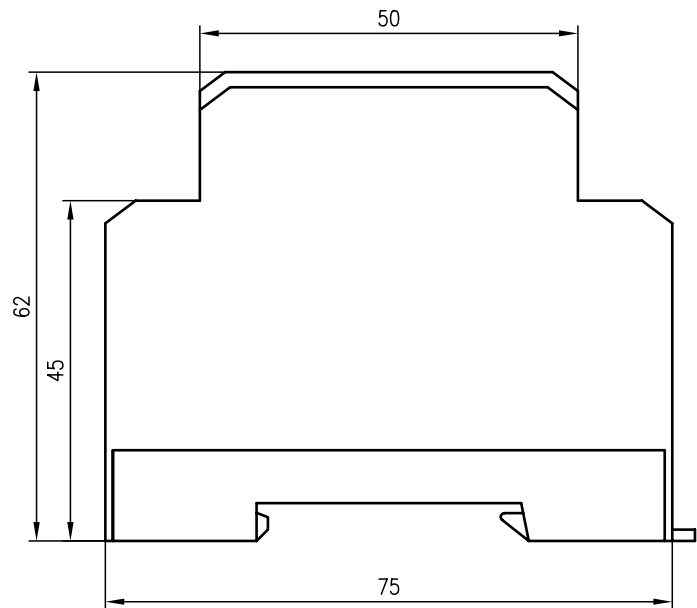


VS 27

Amplifier



Dimensioned drawing



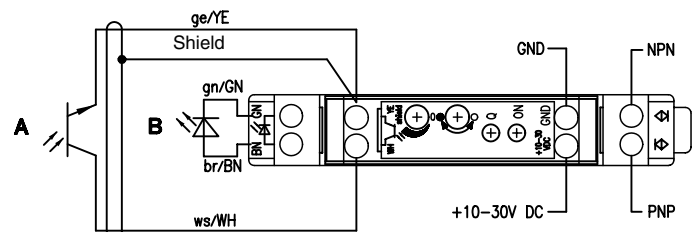
- A Sensitivity adjustment
- B Light/dark switching
- C Switching indicator
- D Operation indicator



10 - 30 V
DC

- Amplifier for connection of all mini photoelectric sensors (GaAs)
- Wide voltage range 10 ... 30V with PNP and NPN switching output
- Light/dark switching and sensitivity adjustment for optimal adaptation to the application
- Outputs are short-circuit proof and polarity reversal protected, this guaranteeing riskless mounting
- Plastic housing with snap-on mounting for standard rail

Electrical connection



- A Receiver
- B Transmitter



Accessories:

We reserve the right to make changes • MS_v10e.fm



Specifications

Timing

Switching frequency	200Hz
Response time	2.5ms
Delay before start-up	≤ 100ms

Electrical data

Operating voltage U_B	10 ... 30VDC ± 10%
Bias current	≤ 30mA
Switching output	PNP and NPN transistor output
Function characteristics	light or dark switching (reversible)
Signal voltage high/low	$\geq (U_B - 2V) / \leq 2V$
Output current	max. 200mA
Sensitivity	adjustable

Indicators

LED green	ready, transmitter operating
LED yellow	light path free/reflection (with performance reserve)
LED yellow flashing	light path free/reflection (without performance reserve)

Mechanical data

Housing	plastic
Weight	80g
Connection type	screw terminals
Cable cross-section	0.25mm ² ... 1.5mm ²

Environmental data

Ambient temp. (operation/storage)	-20°C ... +60°C/30 °C ...+70°C
Protective circuit ¹⁾	1, 3
Protection class	housing IP 40 terminals IP 20, fulfils contact protection acc. to VBG 4 IEC 60947-5-2

Standards applied

1) 1=transient protection, 3= short-circuit protection for transistor output

Tables

Diagrams

Order guide

Designation	Part No.
VS 27/24	500 82005

Remarks

- One gallium mini photoelectric sensor can be connected to the gallium amplifier VS 27/24.
- The device can be snapped on a standard rail.