

SMART
SENSOR
BUSINESS

RISK ASSESSMENT

White Paper



The risk of a hazard can be determined from the following risk parameters, whose combination results in the degree of risk:

- S (Severity): extent of damage when injury occurs
- F (Frequency) or E (Exposure): frequency and duration of presence of persons
- O (Occurrence): probability of a hazard occurring
- P (Probability) or A (Avoidance): possibility of preventing or minimizing an injury

Possible methods for risk evaluation, in addition to simple tabular methods such as the Nohl method and the like, are

- the graphic method in accordance with ISO 13849-1, Appendix A,
- the computational method in accordance with IEC 62061, Appendix A,
- and less known, the HRN (Hazard Rating Numbers) computational method,

which will be presented in brief in the following.

ISO 13849-1

Fig. 1 shows the risk graph which derives from ISO 13849-1:2015, Appendix A. The required PL_r, Safety Performance Level for control-technology-related measures is determined as the result per safety function. The approach seems clear and simple at first. In practice, however, it has been shown that less experienced people have problems choosing between two values due to the lack of concrete value range specifications for the risk parameters and tend to take the higher of the two values to be on the safe side; this can make the safety technology more expensive than necessary. The assessment of measures other than control-technology-related measures is not intended here, just as the determination of a risk adequately diminished after measures in order to end the iterative method in accordance with ISO 12100 is not – a PL_r is always the result, i.e. there is still something to do.

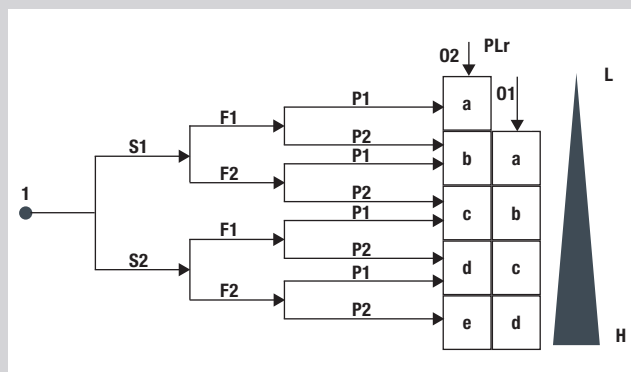


Fig. 1: Risk graph in accordance with ISO 13849-1, Appendix A

IEC 62061

In Appendix A of this standard, a computational method is recommended whose risk parameters are listed in Fig. 2. Instead of limiting the selection to two possible values, as in the graphic method in accordance with ISO 13849-1, up to five values are available per parameter. The specification of concrete values for the “Frequency” parameter is also advantageous.

F – Frequency of exposure to hazard (duration > 10 min)	
≥ 1 per h	5
< 1 per h to ≥ 1 per day	5
< 1 per day to ≥ 1 per 2 weeks	4
< 1 per 2 weeks to ≥ 1 per year	3
< 1 per year	2

P – Possibility of prevention	
Impossible	5
Rarely	3
Probable	1

O – Probability that the hazard will occur	
Very high	5
Probable	4
Possible	3
Rarely	2
Negligible	1

Fig 2: Risk parameters in accordance with IEC 62061, Appendix A



Adding up the individual risk parameters initially results in Risk Class K

$$K = F + P + O$$

Together with the severity (S) of the possible injury, the required SIL_{CL} of a safety function is calculated as shown in Fig. 3.

S – Extent of damage, severity of the possible injury	
Irreversible: death or loss of an eye or arm	4
Irreversible: broken limbs, loss of a finger	3
Reversible: medical treatment required	2
Reversible: first aid required	1

Severity (S)	Class (K)				
	4	5–7	8–10	11–13	14–15
4	SIL 2	SIL 2	SIL 2	SIL 3	SIL 3
3		(AM)	SIL 1	SIL 2	SIL 3
2			(AM)	SIL 1	SIL 2
1				(AM)	SIL 1

Fig. 3: Degree of risk as SIL_{CL} from risk class K and extent of damage S in accordance with IEC 62061

With this method, the process of risk reduction can also not be done on a computer in every case.. Measures other than control-technology-related measures are not considered.

HAZARD RATING NUMBERS (HRN)

In the computational HRN method, a comparatively high number of assessments are specified per parameter. In part, value ranges are also specified for individual parameters – the user can therefore slightly vary the value. Parameter P or A for the possibility of preventing harm is not provided. Instead, effects on more than one person can be considered via the N parameter. This is usually not necessary in the area of machine safety with the tacit acceptance of 1 or max. 2 injured persons, but can be used effectively in process or traffic safety technology. F assesses only the frequency, but not the duration of the exposure to hazard.

S – Extent of damage, severity of the possible injury	
Scrape / Bruise / Contusion / Hematoma (first aid treatment)	0.1
Cut, minor injury (accident insurance consultant treatment)	0.5
Minor break or minor illness (reversible)	1 ... 2
Major break or serious illness (reversible)	2 ... 4
Loss of 1 limb, eye (irreversible)	4 ... 6
Loss of 2 limbs, eyes (irreversible)	8 ... 10
Death	15

N – Number of people in danger simultaneously	
1 – 2 persons	1
3 – 7 persons	2
8 – 15 persons	4
16 – 50 persons	8
> 50 persons	12

F – Frequency of exposure to hazard	
Yearly	0.2 ... 0.5
Monthly	1
Weekly	1.5
Daily	2.5
Hourly	4
Permanently	5

O – Probability that the hazard will occur	
Nearly impossible – possible under extreme circumstances	0.05 ... 0.1
Very improbable – though imaginable	0.5 ... 1
Improbable – but could happen	1 ... 1.5
Possible – though unusual	2
Maybe – can happen	5
Probable – not surprising	8
Very probable – to be expected	10
Certain – no doubt	15

Fig. 4.: Risk parameters of the HRN method



Degree of risk R of a hazard is now determined by multiplying the risk parameters and then assessed.

$$R = S \times N \times F \times O$$

Assessment	Degree of risk R
Negligible risk	0–5
Risk low – but exists	6–50
High risk	51–500
Unacceptable risk	> 500

Fig. 5.: Risk evaluation in accordance with HRN

A big advantage of multiplication is that, when only one of the independent risk parameters is very small, the degree of risk is also small. This is particularly useful for risk evaluation after (a) measure(s) when only one of the parameters, e.g. the probability of occurrence of a hazard, is greatly reduced by the measure(s). For the assessment of control-technology-related measures, however, the HRN method lacks the derivation of a PL_r or SIL_{CL} from the degree of risk. In addition, not every risk parameter can be assessed as negligible and thereby with virtually zero in order to be able to assess the residual risk after measures as sufficiently low.

This was the exact motivation for the development of this method into “HaRMONY”, which is presented in the following.

HARMONY

The further development of the presented risk evaluation methods for the usability during the entire iteration process of risk minimization acc. to ISO 12100:2010 is the aim of the HaRMONY (Hazard Rating for Machinery and prOcess iNdustrY) method explained in the following. It is based on the computational approach of the HRN method, but contains the following supplements:

- Incorporation of risk parameters A (Avoidance) and N (Number)
- Evaluation of frequency and duration of exposure to hazard
- Supplement of a value (0.01) for the assessment of parameters after (a) measure(s)
- Definition of requirements on control-technology-related safety functions: PL_r and SIL_{CL}
- Adaptation of risk assessment and the value ranges of the risk parameters to the parameters of standards ISO 13849-1 and IEC 62061

HaRMONY applies the following risk parameters:

S (Severity) – Extent of damage, severity of possible injury

Description	Assessment
Death	20
Loss of 2 limbs, eyes (irreversible)	15
Loss of 1 limb, eye (irreversible)	11
Major break or serious illness (reversible)	8
Minor break or minor illness (reversible)	2
Cut, minor injury (accident insurance consultant)	0.5
Scrape / Bruise / Contusion / Hematoma (first aid)	0.1
Normally no injury after suitable measures	0.01

Assessment 0.01 can be used for the completion of a risk reduction process in accordance with ISO 12100, for example when a dangerous movement comes to a stop on time due to suitable measures and injuries can no longer occur.

E (exposure) – Frequency and duration of exposure to hazard

Description	Assessment	Limits at
Permanently	20	–
Hourly	0.5 / 5 / 8 / 12	2 sec. / 3 / 15 min.
Daily	0.1 / 1.5 / 5 / 8	2 sec. / 10 / 40 min.
Weekly	0.05 / 0.8 / 2.0 / 4.0	2 sec. / 1 / 4 hours
Monthly	0.03 / 0.3 / 1.0 / 1.5	2 sec. / 2 / 8 hours
Yearly	0.02 / 0.1 / 0.3 / 0.5	2 sec. / 1 / 3 days
Normally no suspension of a hazard after suitable measures	0.01	

Parameter E, in addition to the frequency of presence of persons in the danger zone, determines the duration of this presence. The 3 limit values specified in the table above divide the duration in the respective row into 4 areas – they represent the slashes in the “Assessment” column. So, for instance, the value 8 is used for presence lasting for between 3 and 15 minutes



occurring hourly, and value 12 is used for much longer durations. In principle, the user is free to deviate from the assessments in the time range. Presence of 20 minutes occurring hourly could also be assessed with 9.

The values on the left side (0.02 ... 0.5) are solely intended for **easily avoidable** hazards in existing systems in combination with sub-optimum protective devices in whose vicinity no workplace is situated. For instance, the crushing or shearing of upper body parts in roller conveyors could be largely avoided by subsequently installing an optical protective device as access guarding, even if the minimum distance prescribed in the standard cannot be upheld due to structural circumstances → the duration of exposure is shortened from “permanent” to “a few (milli-) seconds” through this measure. These measures **cannot be used** for non-avoidable hazards, such as movements on presses or robots.

Assessment 0.01 can complete the risk reduction process in accordance with ISO 12100 if accessing a point of operation is effectively prevented, for example by a hard guard which no longer allows exposure to hazard.

O (Occurrence) – Probability of a hazard occurring

Description	Assessment
Certain – no doubt (> 99%)	15
Very probable – to be expected (90 % ... 99 %)	10
Probable – not surprising (70 % ... 90 %)	8
Maybe – can happen (30 % ... 70 %)	5
Possible – though unusual (10 % ... 30 %)	2
Improbable – although it can occur (2 % ... 10 %)	1.5
Very improbable – though imaginable (0.1 % ... 2 %)	1
Normally impossible after suitable measures	0.01

The estimation of the probability of occurrence of hazards is often difficult with textual descriptions. That is why additional percentage values are given, which, for example, refer to the period of time in which a hazard must be assumed. In the area of machine safety, extreme values can often be assumed with mechanical and electrical hazards – so you often see “certain” or “very probable” or “normally impossible” after measures. Assessment 0.01 can be assigned, for example, if the hazard considered no longer arises due to constructive measures or changes to the process.

A (Avoidance) – Possibility of avoiding a hazard or its effect

Description	Assessment
Avoidance impossible	5
Avoidance possible	3
Avoidance probable, easily possible	1
Normally no injury when there is awareness of the hazard and instructions or orders are followed (organizational)	0.1

Assessment 1 can, for example, be used when a movement can be controlled with safely reduced speed or with an enabling switch in step operation. Rate 0.1 makes it possible to assess the flow of organizing measures. Since an organizing and therefore deliberate measure is not equal to a protective measure not dependent on intention, an assessment of 0.1 is used instead of 0.01 as with S, E, and O. Please note that organizing measures cannot be used and assessed with 0.1 until constructive and technical protective measures have been exhausted. The statement “The employees have been instructed, so safety technology is not necessary” conflicts the approach of ISO 12100!



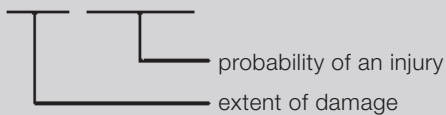
N (Number) – Number of persons affected **simultaneously**

Description	Assessment
50+ persons	12
16–50 persons	8
8–15 persons	4
3–7 persons	2
1–2 persons	1
No one	0

N is usually 1 in machine safety. In the areas of process reliability and traffic safety, several to many persons can be affected by one hazard – e.g. an explosion hazard or a train accident. The risk is therefore higher and the safety-related measures must accordingly be higher in quality. Assessment 0 can be assigned, for example, when operating personnel is no longer needed due to changes in the production process (measure) and therefore no one can be damaged by the observed hazard. This is expressed simultaneously by parameters S and E.

Degree of risk R is ultimately calculated by multiplying the risk parameters:

$$R = S \times N \times E \times O \times A$$



It might be easier to remember the sequence

$$R = E \times A \times S \times O \times N$$

because it spells the word "reason".

The degree of risk is assessed as follows:

Degree of risk	Assessment	ISO 13849-1	IEC 62061 /61508
0–11	Negligible (remote)	---	---
11–60	Small	PL b	SIL 1
60–400	Increased	PL c	SIL 1
400–1,000	High	PL d	SIL 2
> 1,000	Extreme	PL e	SIL 3
> 30,000	Catastrophic	---	SIL 4

Requirements on control-technology-related measures are present as is the numerical degree of risk for assessing non-control-technology-related measures. Safety Performance Level PL a in accordance with ISO 13849-1 does not have an SIL equivalent and is not used by HaRMONY. SIL 4 is not defined by IEC 62061, but by basic standard IEC 61508. HaRMONY thereby permits risk assessment during the entire iterative process of risk reduction in accordance with ISO 12100, both before and after measures. An example will demonstrate this.



On a hydraulic press brake (in common terms, bending press), there is a danger of several fingers being cut off when setting the upper work piece on the work piece when work is not done in a protected manner. Without or before protective measures, the following evaluation of the risk can result with HaRMONY:

- S = 15; Severity: loss of 2 or more limbs
- E = 20; Exposure: Permanent, since the operator constantly works on the press
- O = 15; Occurrence: hazard certainly occurs during every downwards movement



- A = 5; Avoidance: avoiding the hazard is impossible
- N = 1; Number: One, max. two operators work on a press

This results in a degree of risk before measures of

$R = 15 \times 20 \times 15 \times 5 \times 1 = 22,500 \rightarrow \text{PLr} = \text{PL e}, \text{SILCL} = \text{SIL3}$

Possible protective measures are:

- Light curtain with blanking or reduced resolution, if large sheets are bent,
- Special protection systems for hydraulic press brakes such as AKAS from Fiessler or protective devices from LazerSafe,

which stop the dangerous movement by interrupting the protective field when used correctly. The following risk parameters result after application of one of these measures:

- S = 0.01; Severity: Usually no injury, movement stopped
- E = 20; Exposure: Permanent, since the operator constantly works on the press
- O = 0.01; Occurrence: No longer a hazard – stopped
- A = 5; Avoidance: Prevention of the potential risk remains impossible
- N = 1; Number: One, max. two operators work on a press

After an effective measure, a degree of risk of $R = 0.01 \times 20 \times 0.01 \times 5 \times 1 = 0.1$ Risk has been sufficiently reduced

SUMMARY:

With HaRMONY, it is possible to very precisely quantify the entire process of risk reduction in accordance with ISO 12100. The advantage of this multiplicative method is that the process can be completed via every one of the risk parameters used.



SMART
SENSOR
BUSINESS